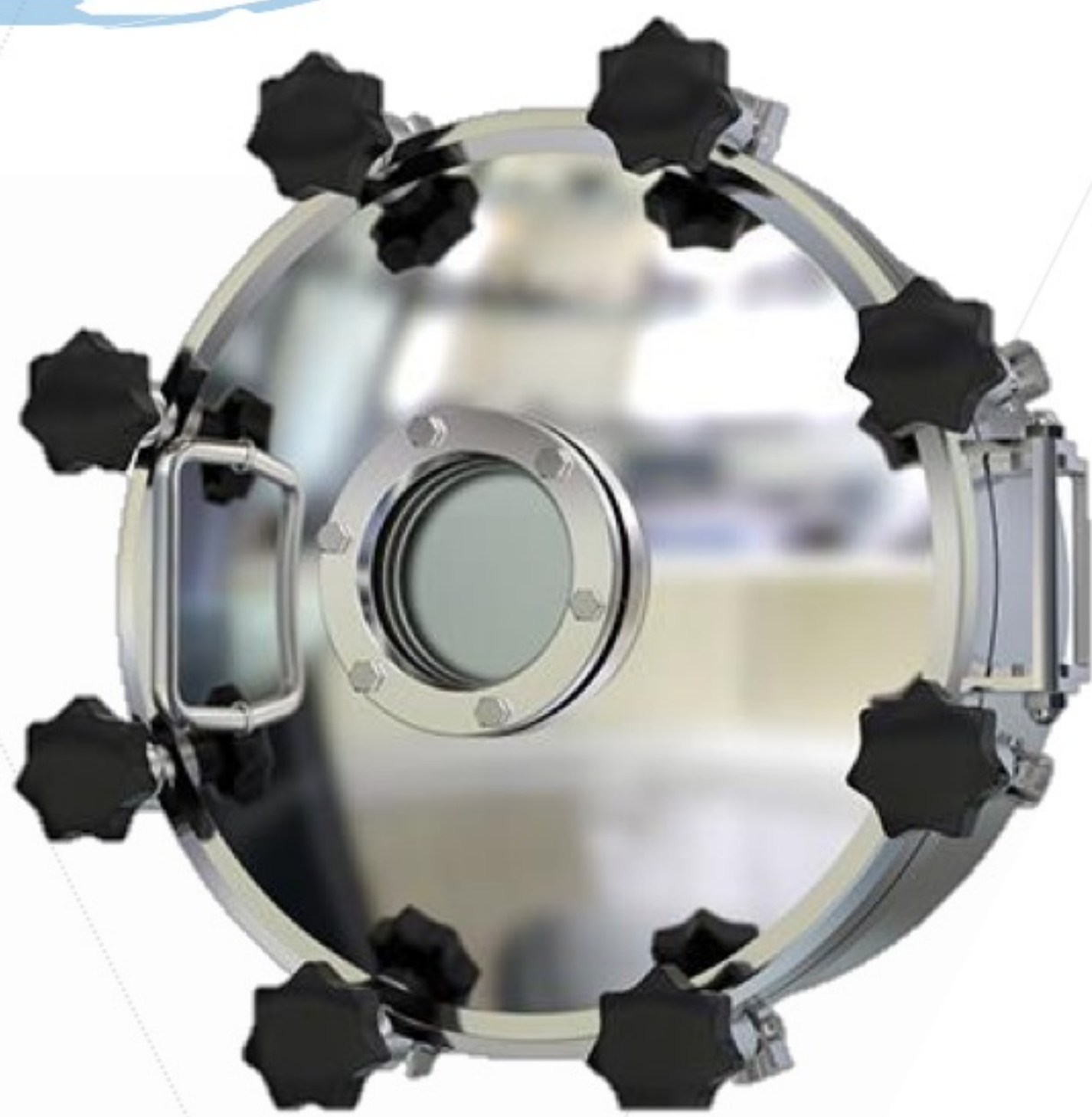


# MND

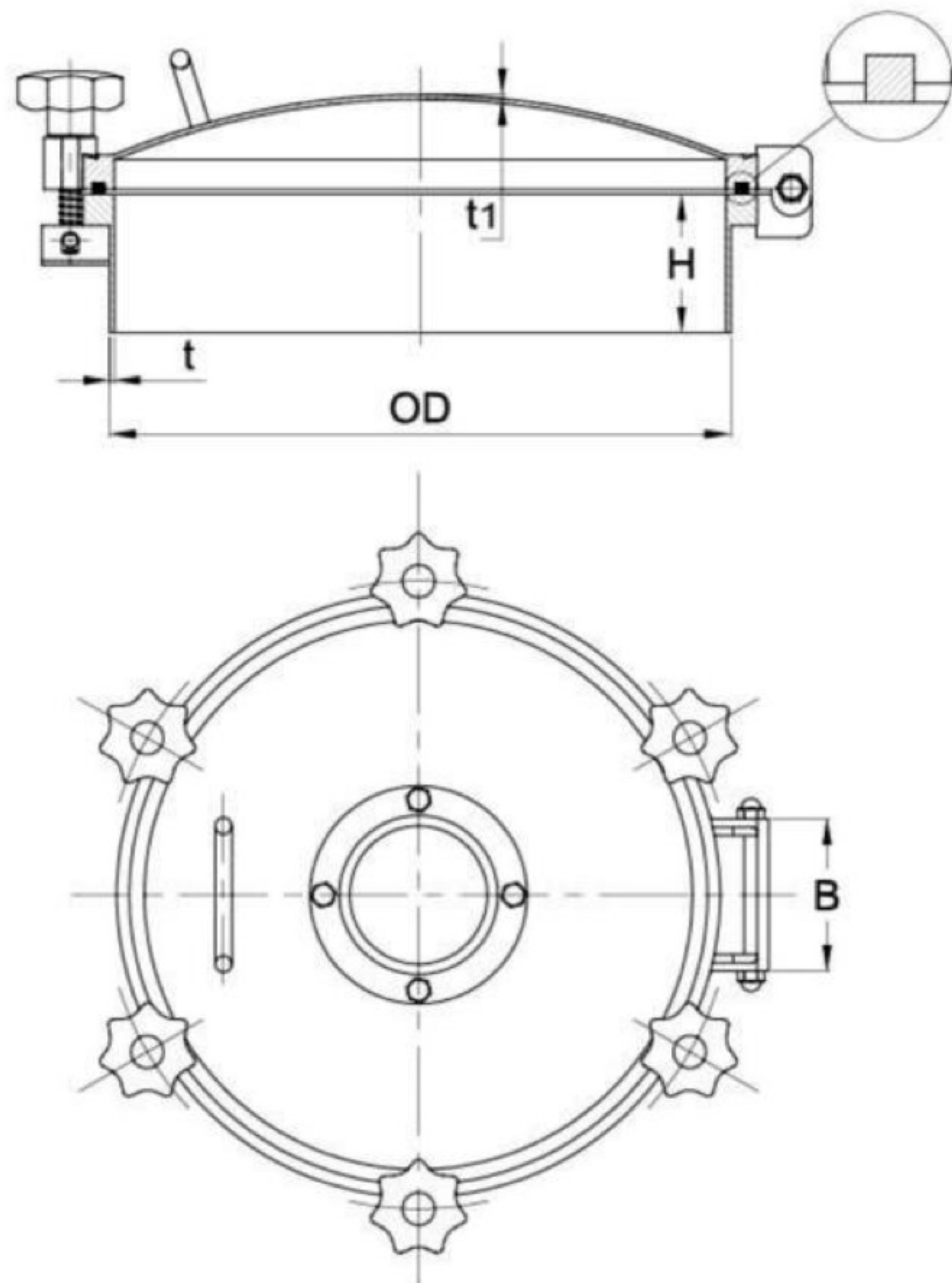
## Round Outward Manhole With sight glass



### How to Order

Type	Size	Material	Inner Surf	Outer Surf
MND	Ø400	304	0.8µm-0.4 µm	0.8µm-0.4 µm
QTY	Hand wheel - Num	Height	Gasket	Pressure
20	6 stainless steel – DN80	100mm	Silicone	1-3 bar

### Dimension



### Standard size

At Temperature 50°C/122°F

SIZE	OD mm	t mm	H mm	t1 mm	Hand Num	SG mm	Pressure (bar)
Ø200	Ø206	3	100	3	4	DN80	1-3
Ø300	Ø306	3	100	3	4	DN80	1-3
Ø350	Ø356	3	100	3	5	DN80	1-3
Ø400	Ø406	3	100	3	6	DN80	1-3
Ø430	Ø435	3	100	3	6	DN80	1-3
Ø450	Ø456	3	100	3	6	DN80	1-3
Ø500	Ø508	4	100	3	6	DN80	1-3
Ø550	Ø558	4	100	3	6	DN80	1-3
Ø600	Ø608	4	100	3	8	DN80	1-3

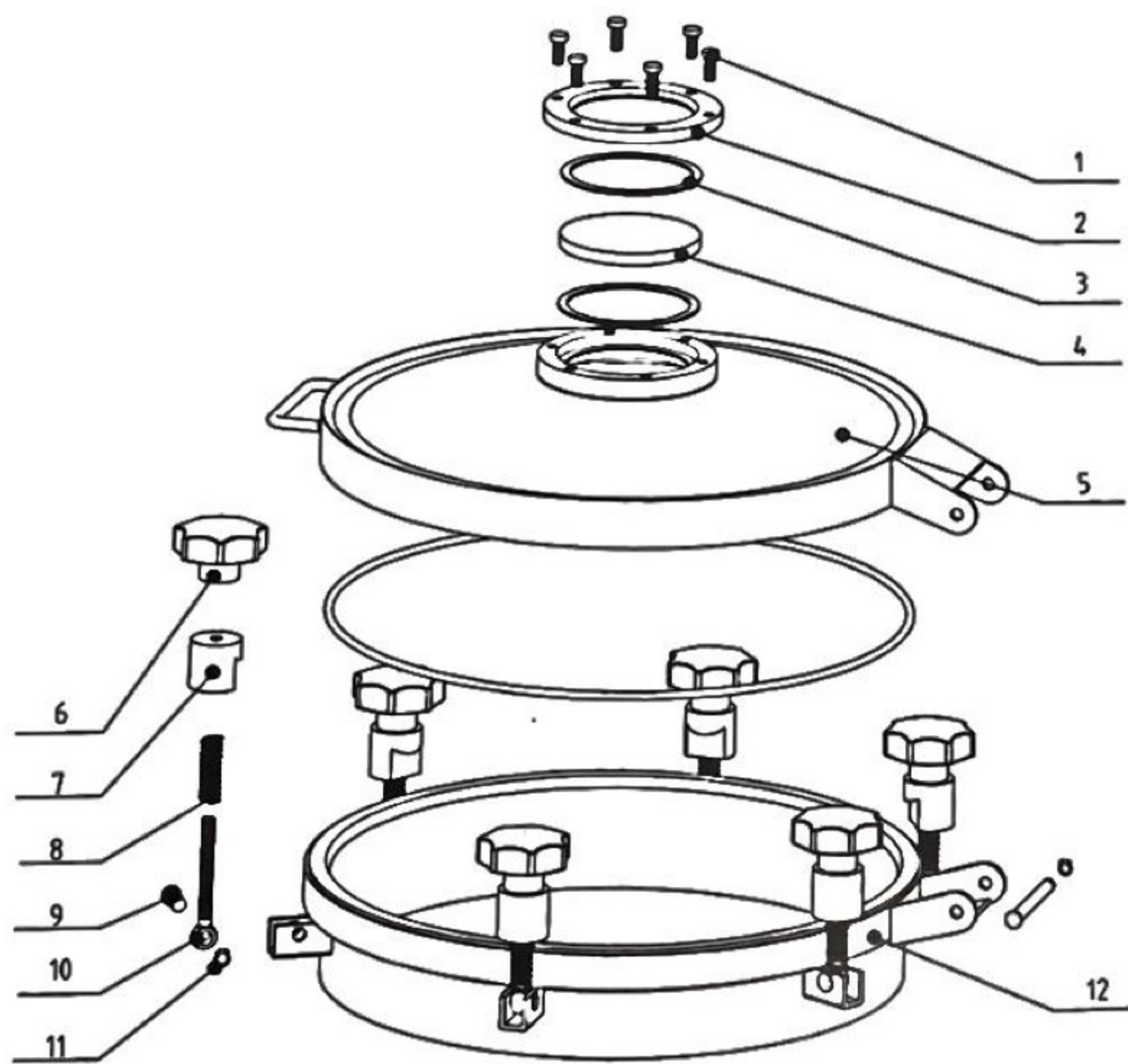
If you want to check for more details

Please check the following drawing

x1bar ≈ 14.5PSI ≈ 0.1MPA

## Round Outward Manhole With sight glass

Exploded parts diagram

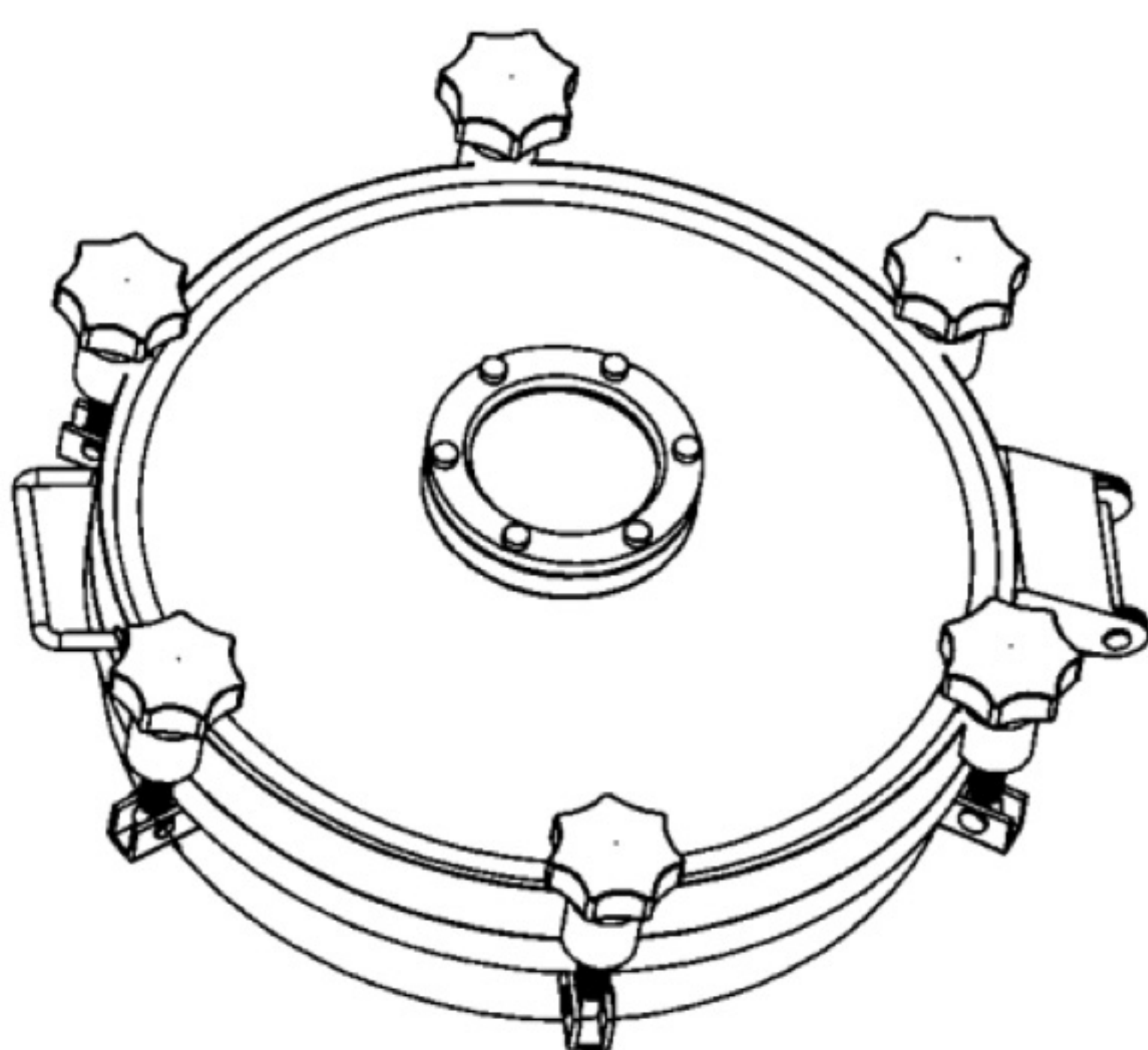


Technical requirements

- Gasket: Silicone/EPDM/NBR/FPM/ in accordance with FDA 177.2600.
- Material:304(1.4301),316L(1.4404)
- Internal surface : 0.8  $\mu$ m-0.4  $\mu$ m
- Outside surface: Mirror Polished, Matte, Sand-blasting finished.

item	Description	Material	QTY
1	Screw	T304	6
2	Frame	1.4301/1.4404	1
3	Seal	PTFE	2
4	Sight glass	Tempered glass	1
5	Cover	1.4301/1.4404	1
6	Handle	Plastic/T304	6
7	Hub	T304	6
8	Spring	T304	6
9	Pin	T304	6
10	Swing bolt	T304	6
11	Lock ring	T304	6
12	Frame	1.4301/1.4404	4

Schematic diagram



Gasket

Material	Color
Silicone	White
EPDM	Black
FDM	Black

### Options

#### Stainless steel finishes

Polished with RA( $\mu$ )

Bead blasted

Pickled: on request

Electro polished