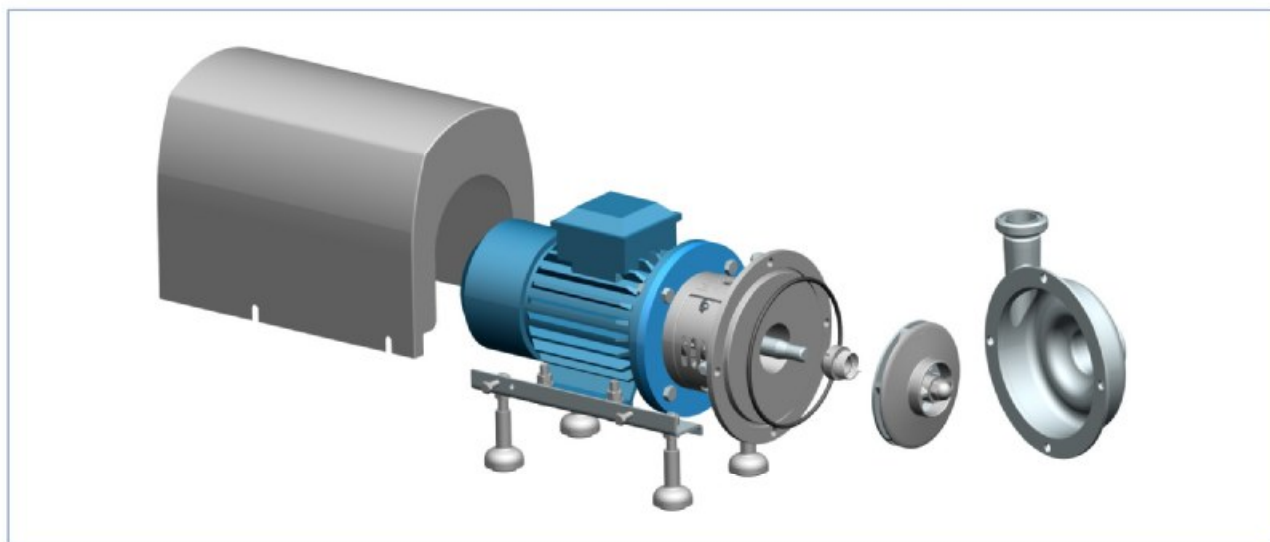


非常简单的维护、
无需专用工具、专业人员
Very simple maintenance,
no special tools required, no
professionals required



技术优势

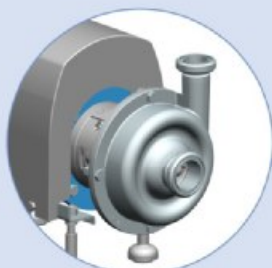
- 维护拆卸和安装时，无需专业人员和专用工具，即可完成。
- 该泵为顺时针旋转，禁止反向旋转。(从电机后面可以判断旋转方向)

Technical Advantages

- Maintenance disassembly and installation can be completed without professional staff and special tools.
- This pump only rotate clockwise, forbid to rotate counterclockwise. (can check rotation direction from backside of motor)

DJ-BS 系列离心泵各种配置

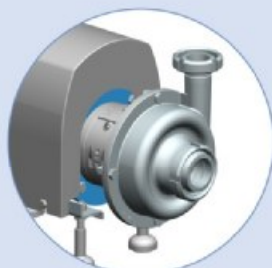
DJ-BS series centrifugal pump various configurations



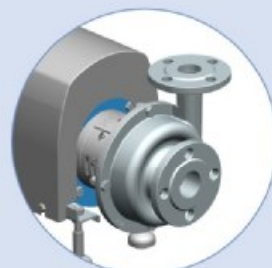
螺纹接口
Thread connection



卡箍连接
Clamp connection



由任螺母
Union nut



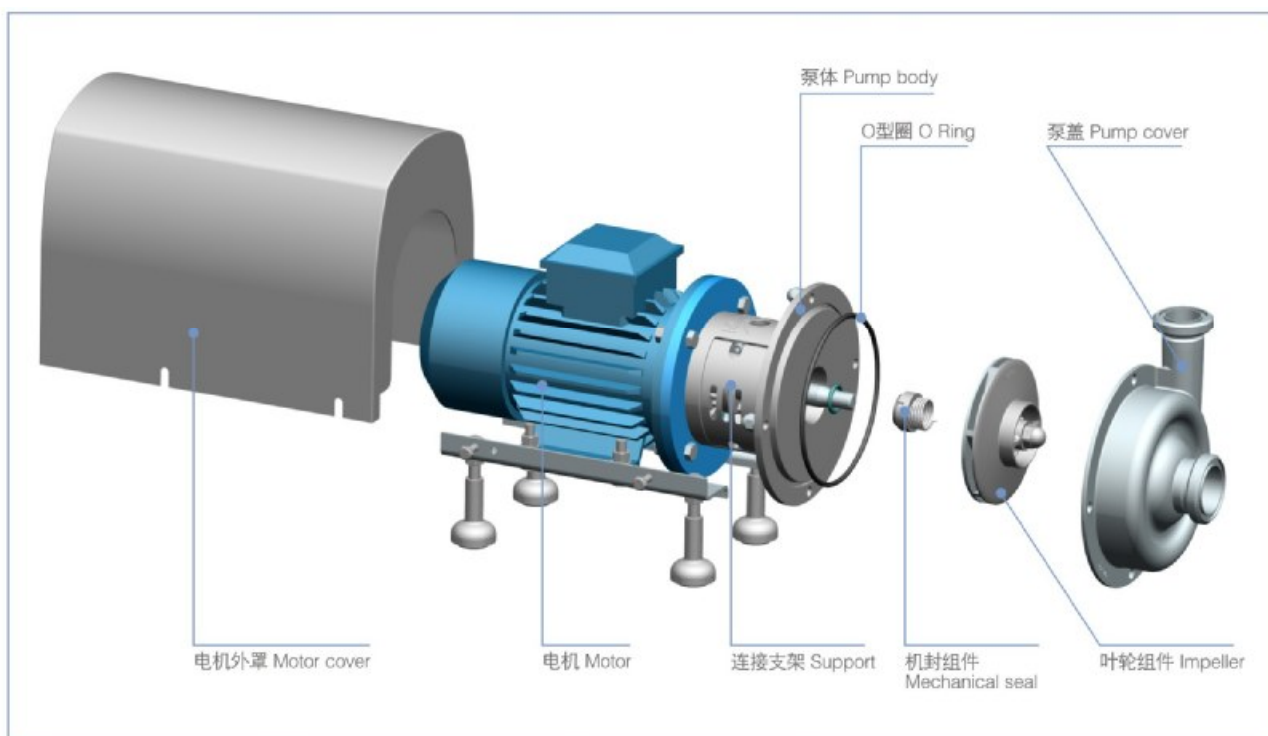
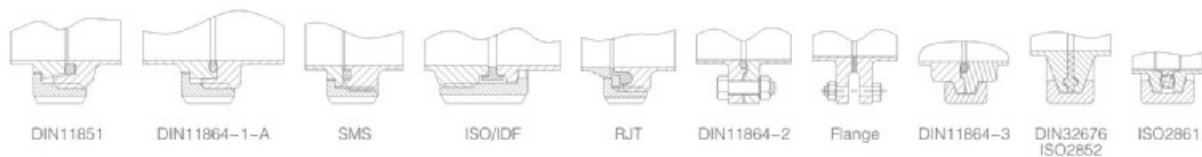
法兰连接进/出口
Flange connection inlet / outlet

泵进口/出口连接标准

连接方式：螺纹、卡箍、法兰、无菌法兰、KF、等。
标准：DIN SMS ISO IDF RJT ASME BPE 3A I-line

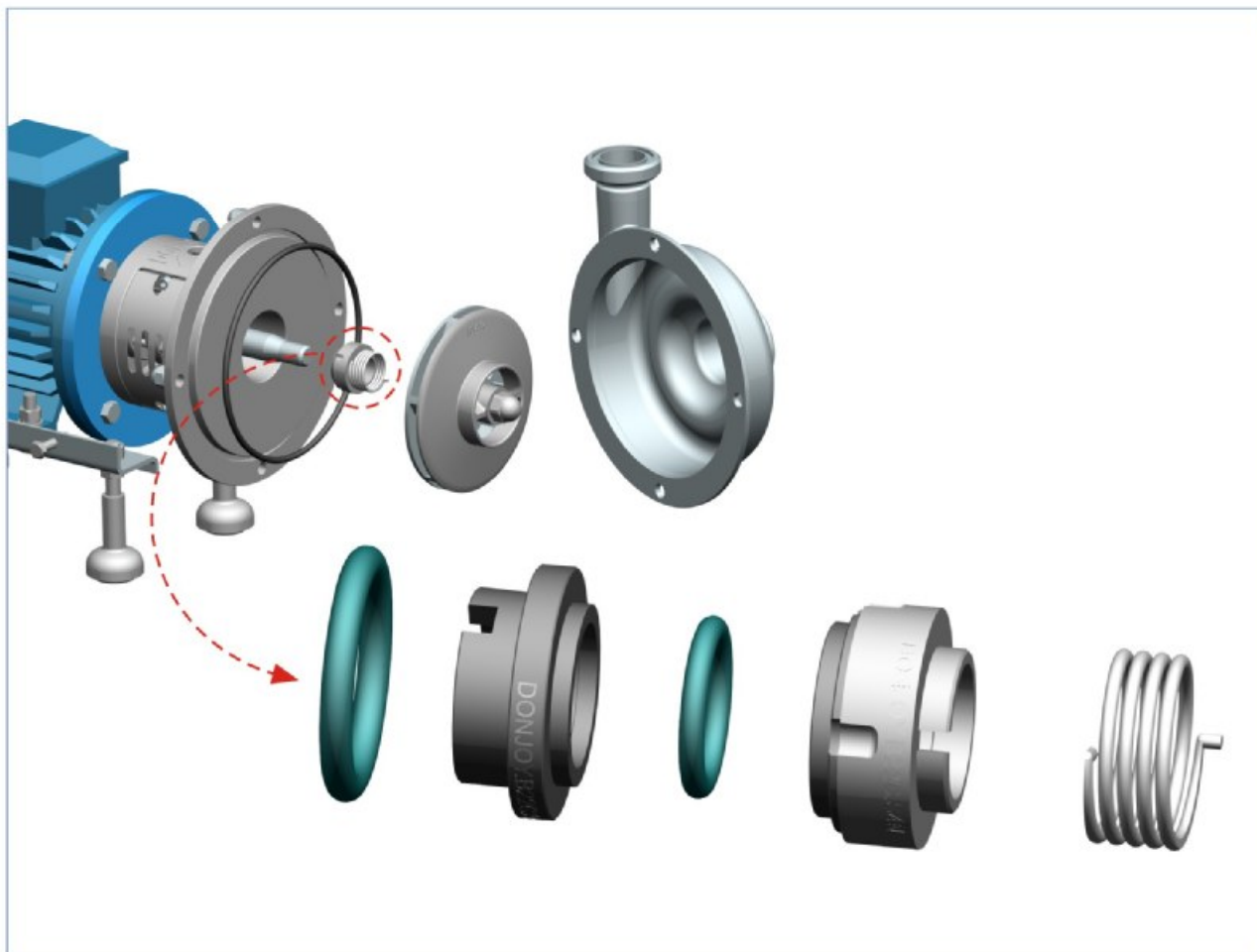
Pump Inlet/outlet Connection Standard

Connection: Thread, Clamp, Flange, Aseptic flange, KF etc.
Standard: DIN SMS ISO IDF RJT ASME BPE 3A I-line



DJ-BS 系列离心泵机封设计

DJ-BS series centrifugal pump mechanical seal design



机封系统

DONJOY DJ-BS 系列离心泵机封，联合欧洲瑞典著名公司合作研发，机封设计具有压力平衡设计、超长使用寿命、极易拆装维护、无需特殊专用工具，卫生洁净符合和认证：欧盟EHEDG,美国 3-A-02-11, FDA1772600等高洁净要求。并有丰富的机封配置方案。

Mechanical Seal Features

Donjoy DJ-BS series centrifugal pump mechanical seal is researched and developed together with European Swedish famous company. The mechanical seal is designed with pressure balance and super long working life, can be disassembled and maintained easily without special tools. The sanitary purity is according to EU EHEDG, USA 3-A-02-11, FDA1772600 and so on. and has lots of configuration.

机封配置 Mechanical Seal Configuration

- 1)SIC/C/EPDM
- 2)SIC/C/FKM
- 3)SIC/C/HNBR
- 4)SIC/SIC/EPDM
- 5)SIC/SIC/FKM
- 6)SIC/SIC/HNBR

注意：以上配置适用于单机封

Note: The above machine seal material is suitable for single seal

DJ-BS 系列离心泵型号说明

DJ-BS series centrifugal pump model instruction



DJ-BS 10 6t 22 1.5KW 380V 50HZ M 1.5/1.5 S

Connection standard
连接标准: DIN (D) SMS (S) 3A(A) RJT (R) ISO/IDF (I)

Inlet/Outlet size
进/出口规格

Connection method: Thread (M) Clamp (C) Flange (F)
连接方式: 螺纹(M)卡箍(C)法兰(F)

Motor frequency
电机频率: 50HZ; 60HZ

Voltage: 110V 220V 380V (see table)
电压: 110V 220V 380V (详见选型表)

Motor power: 1.1kw 1.5kw 2.2kw.....
电机功率: 1.1kw 1.5kw 2.2kw.....

Centrifugal pump head (see table)
离心泵扬程(详见选型表)

Centrifugal pump flow(see table)
离心泵流量(详见选型表)

Centrifugal pump model
离心泵型号

Centrifugal pump code: DJ-BS
离心泵代码: DJ-BS

举例 For example:
DJ-BS-10-6T-22-1.5KW-380V-50HZ-M-1.5/1.5-S

DJ-BS 离心泵选型表

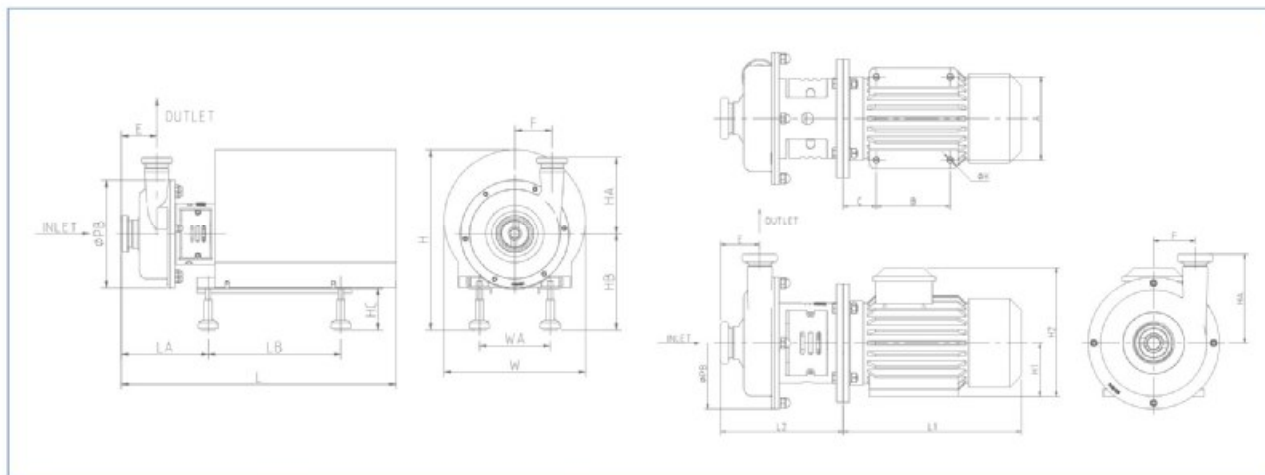
DJ-BS centrifugal pump selection table



| 型号 Model | 功率/电流 Power/current | 流量 Flow(m ³ /h) | 扬程 Head(M) | 进口/出口 Inlet/Outlet |
|----------|---------------------|----------------------------|------------|--------------------|
| BS-4 | 2.2KW | 20 | 14 | 2"/1.5" |
| | 2.2KW | 18 | 18 | |
| | 2.2KW | 15 | 21 | |
| | 2.2KW | 12 | 23 | |
| | 2.2KW | 10 | 24 | |
| | 1.5KW | 8 | 25 | |
| | 1.5KW | 5 | 25 | |
| BS-6 | 4KW | 29 | 13 | 2.5"/2" |
| | 4KW | 25 | 20 | |
| | 3KW | 20 | 25 | |
| | 3KW | 15 | 27 | |
| | 3KW | 12 | 29 | |
| | 3KW | 10 | 30 | |
| | 3KW | 5 | 32 | |
| BS-10 | 5.5KW | 35 | 19 | 3"/2" |
| | 5.5KW | 30 | 26 | |
| | 4KW | 25 | 26 | 2.5"/2" |
| | 4KW | 20 | 29 | |
| | 4KW | 15 | 31 | |
| | 3KW | 10 | 34 | |
| | 3KW | 5 | 36 | |
| BS-12 | 5.5KW | 40 | 25 | 3"/2" |
| | 5.5KW | 35 | 29 | |
| | 5.5KW | 30 | 31 | |
| | 5.5KW | 25 | 31 | 2.5"/2" |
| | 4KW | 20 | 33 | |
| | 4KW | 15 | 35 | |
| | 3KW | 10 | 37 | |

DJ-BS 离心泵数据图

DJ-BS centrifugal pump data chart



防护罩离心泵 Centrifugal pump with cover

| BS 系列 Series | 外形安装尺寸 Assembly Dimension | | | | | | | | | | | 进/出口连接方式 (Inlet / outlet connection) | | | | | | | | | | | |
|--------------------|---------------------------|----------------------|-----------------------|-----|------|-----|-----|-----|----|-----|-----|--------------------------------------|-----|-----|-----|-----------------------------------|-------|-----|-----|------------------------------------|-----|-----|-----|
| | 功率 Power (KW) | 进口 Inlet d"/DN | 出口 Outlet d"/DN | ΦPB | F | LB | H | HB | HC | W | WA | SMS螺纹连接 SMS threaded connection | | | | INCH卡箍连接 INCH clamp connection | | | | DIN螺纹连接 DIN threaded connection | | | |
| | | | | | | | | | | | | E | LA | L | HA | E | LA | L | HA | E | LA | L | HA |
| BS-4 | 1.5-2.2KW | 2" | 1.5" | 222 | 70 | 240 | 359 | 189 | 95 | 260 | 140 | 66 | 183 | 548 | 150 | 59 | 175.7 | 541 | 143 | 66 | 183 | 548 | 150 |
| BS-6 | 3KW | 2.5" | 2" | 245 | 84.3 | 300 | 413 | 218 | 95 | 320 | 160 | 80 | 196 | 620 | 174 | 69 | 184.7 | 609 | 167 | 81 | 197 | 621 | 174 |
| | 4KW | 2.5" | 2" | 245 | 84.3 | 300 | 418 | 211 | 95 | 340 | 190 | 80 | 203 | 620 | 174 | 69 | 191.7 | 609 | 167 | 81 | 204 | 621 | 174 |
| BS-10 | 4KW | 2.5" | 2" | 245 | 84.3 | 300 | 418 | 211 | 95 | 340 | 190 | 80 | 203 | 620 | 174 | 69 | 191.7 | 609 | 167 | 81 | 204 | 621 | 174 |
| BS-12 | 5.5-7.5KW | 3" | 2" | 245 | 84.3 | 330 | 466 | 231 | 95 | 380 | 216 | 81 | 213 | 693 | 174 | 69 | 200.7 | 681 | 167 | 81 | 214 | 693 | 174 |

DJ-BS离心泵数据图(不带外罩) DJ-BS centrifugal pump data chart (Without cover)

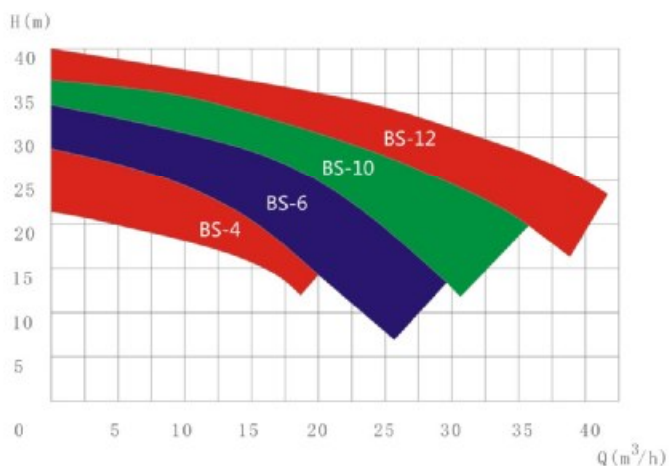
| BS 系列 Series | 外形安装尺寸 Assembly Dimension | | | | | | | | | | | 进/出口连接方式 (Inlet / outlet connection) | | | | | | | | | |
|--------------------|---------------------------|----------------------|-----------------------|-----|------|-----|-----|-----|----|----|-----|--------------------------------------|------------------------------------|-----|-----|-----------------------------------|-------|-----|------------------------------------|-----|-----|
| | 功率 Power (KW) | 进口 Inlet d"/DN | 出口 Outlet d"/DN | ΦPB | F | L1 | A | B | C | K | H1 | H2 | SMS螺纹连接 SMS threaded connection | | | INCH卡箍连接 INCH clamp connection | | | DIN螺纹连接 DIN threaded connection | | |
| | | | | | | | | | | | | | E | L2 | HA | E | L2 | HA | E | L2 | HA |
| BS-4 | 1.5KW | 2" | 1.5" | 222 | 70 | 285 | 140 | 100 | 56 | 10 | 90 | 217 | 66 | 207 | 150 | 59 | 199.7 | 143 | 67 | 208 | 150 |
| | 2.2KW | 2" | 1.5" | 222 | 70 | 301 | 140 | 125 | 56 | 10 | 90 | 217 | 66 | 207 | 150 | 59 | 199.7 | 143 | 67 | 208 | 150 |
| BS-6 | 3KW | 2.5" | 2" | 245 | 84.3 | 316 | 160 | 140 | 63 | 12 | 100 | 240 | 80 | 238 | 174 | 69 | 226.7 | 167 | 79 | 237 | 175 |
| | 4KW | 2.5" | 2" | 245 | 84.3 | 351 | 190 | 140 | 70 | 12 | 112 | 252 | 80 | 238 | 174 | 69 | 226.7 | 167 | 79 | 237 | 175 |
| BS-10 | 4KW | 2.5" | 2" | 245 | 84.3 | 351 | 190 | 140 | 70 | 12 | 112 | 252 | 80 | 238 | 174 | 69 | 226.7 | 167 | 79 | 237 | 175 |
| BS-12 | 5.5-7.5KW | 3" | 2" | 245 | 84.3 | 399 | 216 | 140 | 89 | 12 | 132 | 301 | 81 | 239 | 174 | 69 | 226.7 | 167 | 81 | 239 | 175 |

注意：以上数据图相关尺寸不作为实物最终依据，东正保留对于数据更新权限不再另行通知。
 Note: The relevant dimensions of the above data diagrams are not regarded as the final basis of the actual object.
 Dongzheng reserves the right to update the data without further notice.

DJ-BS 系列离心泵曲线图

DJ-BS series centrifugal pump graph

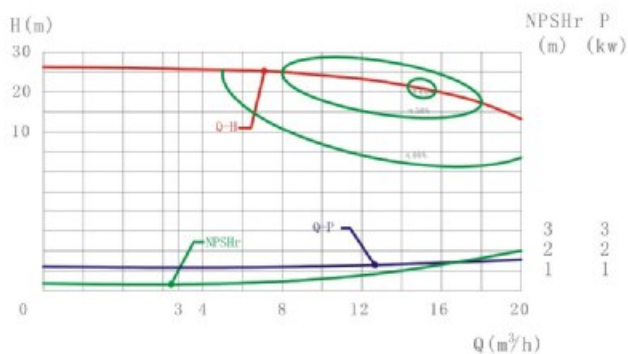
闭式(BS)泵(Q-H曲线图Graph)



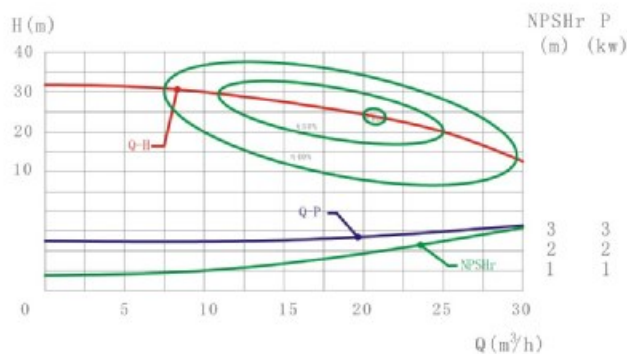
测试条件: 介质清水, 温度20°C, 叶轮转速2900 R.P.M
(此曲线图亦适用电机60Hz, 叶轮转速3600R.P.M) Q-流量(m³/H),
H-扬程(M), P-功率(KW), η%-泵效率。

Testing condition: medium water, temperature 20 °C, impeller speed 2900 RPM (This graph also applies to motor 60Hz, impeller speed 3600RPM) Q-Flow rate (m³/H), H-head (meter), P-power (KW), η%-pump efficiency

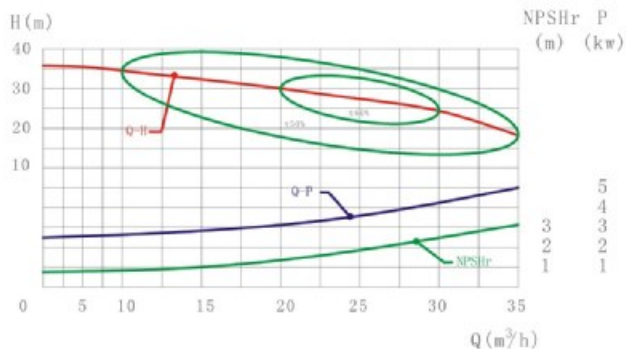
BS-4(Q-H曲线图Graph)



BS-6(Q-H曲线图Graph)



BS-10(Q-H曲线图Graph)



BS-12(Q-H曲线图Graph)

