

卫生级蝶阀 Butterfly valve

DONJOY创新设计
专利保护
Innovative design
Patent protection

应用 Applications

- ◆ 无论手动或者自动操作，都可以用到食品加工，制药和化工等工业流体产品应用中。
- ◆ Butterfly valves, no matter manually or automatically, can be used in food-processing, pharmacy and chemical industries.

工作原理 Operating principles

- ◆ 可以通过执行器自动操作也可用手柄手动操作。
- ◆ 手柄控制阀门“开”和“关闭”的位置，当然也可以调节到其他间的位置。
- ◆ 执行器把活塞的轴向运动转换成90度旋转运动，传输给蝶阀。
- ◆ The butterfly valves can be operated automatically through actuator or manually with the handle.
- ◆ the handle blocks the valve in the "open" or "closed" position, certainly there are the other position available.
- ◆ the actuator push piston of axial movement into 90 degree so that it controls butterfly valve.



技术规格

- ◆最大压力：10bar 1/2"-12", DN10-DN300, 5bar(DN200/300)
- ◆最小压力：0.2bar p.abs
- ◆工作温度：-10°C+120°C(EPDM)

设计和特点

- ◆简洁有活力的设计
- ◆多位手柄：塑料=1/2"-4", 不锈钢=1/2"-6"
- ◆拉杆手柄尺寸到DN25/1"至DN300/12"
- ◆手动手柄和气动或电动执行器可互换
- ◆PED97/23EC认证
- ◆FDA.177.2600密封认证
- ◆任何连接方式的阀体都可以进行更换

应用Applications

- ◆蝶板：AISI 316L/304(锻造)
- ◆阀体：AISI 316L/304(锻造)
- ◆垫圈和密封圈：EPDM根据FDA177.2600
- ◆手柄：AISI 304/PP
- ◆表面处理：Ra≤0.8
- ◆Disc: AISI 316L/304(forged)
- ◆Valve body: AISI 316L/304(forged)
- ◆Washer and gasket: EPDM conforms to PFA 177.2600
- ◆Handle: AISI 304/PP
- ◆Surface finishing: Ra≤0.8

选项 Options

- ◆垫圈材质有NBR, MVQ(硅胶)或FPM(氟橡胶), 它们都符合FDA177.2600
- ◆连接：焊接、卡箍、螺纹、单焊接单螺纹、法兰式、DIN、SMS、RJT、ISO、IDF、3A
- ◆手柄：二定位、三定位、四定位拉杆手柄、多位手柄、多位不锈钢手柄
- ◆执行器：不锈钢气动执行器、卧式气动执行器、电动执行器
- ◆控制：位置传感器、C-TOP控制器、C-TOP控制器(AS-I)
- ◆智能阀门定位器：电流信号4-20mA(0-20mA), 电压信号0-5V; 总线协议DEVICENET
- ◆Gaskets are available in NBR, MVQ or FPM, which all confirm to standard of FDA177.2600
- ◆Connection: weld, clamp, thread, weld thread, flange, DIN, SMS, RJT, ISO, IDF, 3A
- ◆Handle: two-position handle, three-position handle, four-position pull handle, multi-position plastic handle and multi-position stainless steel handle.
- ◆Actuator: pneumatic stainless steel actuator, pneumatic aluminum actuator, electric actuator
- ◆Control: sensor, C-TOP, c-top controller(AS-I)
- ◆Intelligent controller: Current signal 4-20mA(0-20mA), Voltage signal 0-5V, Device net but control

操作扭矩 Operating Torque(N.M)

操作扭矩(N.M) Operating Torque(n.m)	25-1"	40-1 1/2"	50-2	2 1/2"	65	3"	80	100-4"	125	150
	3	4	5	10	12	14	18	25	40	55

在压力10Kgrs/cm² 下检测 Test under pressure of 10Kgrs cm²

Technical specifications

- ◆Max. Pressure: 10bar 1/2"-12", DN10-DN300, 5bar(DN200/300)
- ◆Min.pressure: 0.2bar p.abs
- ◆Operating temperature: -10°C to +120°C(EPDM)

Design and features

- ◆Compact and robust design
- ◆Multi-position handle: Plastic type for 1/2"-4", Stainless steel type for 1/2"-6"
- ◆Pull handle is suitable up to DN25/1" to DN300/12" valve
- ◆Manual handle, pneumatic actuator and electric actuator can be exchangeable with each other
- ◆PED97/23EC
- ◆FDA.177.2600
- ◆The valve body can be changeable with any kind of connection



蝶阀 Butterfly valve



不锈钢多位
手柄+锁
Multi-position
stainless steel
handle+ lock
SIZE: 1"-4"



不锈钢多位
手柄蝶阀
Multi-position
stainless steel
handle
butterfly valve

SIZE:
1"-6", DN25-DN150



拉杆式
手柄蝶阀
Pull handle
butterfly valve

SIZE:
1"-12", DN25-DN300



多位塑料
手柄蝶阀
Multi-position
plastic handle
butterfly valve

SIZE:
1"-4", DN25-DN100



三通蝶阀
Three-way
butterfly valve

SIZE:
1"-4", DN25-DN100



手动蝶阀+
位置传感器
Manual butterfly valve
+position sensor

SIZE:
1"-6", DN25-DN150



气动蝶阀 基本型
Pneumatic butterfly valve (basic type)

Size: 1"-12", DN25-DN300



气动蝶阀+定位器
Pneumatic butterfly valve + Positioner

模拟信号
输入 0/4-20mA, 0-5/10V
输出 0/4-20mA, 0-5/10V
DEVICE NET BUS 总线通讯
电源: DC 24V

Analog signal
Input:0/4-20mA,0-5/10V
Output:0/4-20mA,0-5/10V
DEVICE NET BUS
Power supply: DC 24V



气动蝶阀+位置传感器
Pneumatic butterfly valve +position sensor

传感器: PNP NPN
Sensor: PNP NPN



气动蝶阀+C-TOP
Pneumatic butterfly valve + C-TOP

接线端子连接
AS- I BUS 总线通讯
电源: DC 24V

Terminal connection
AS - I BUS DEVICE NET
Power supply: DC 24V

蝶阀 Butterfly valve



电动蝶阀
Electric butterfly valve

AC 220/110V DC 24V

功能: 开关型、智能型、位置反馈型

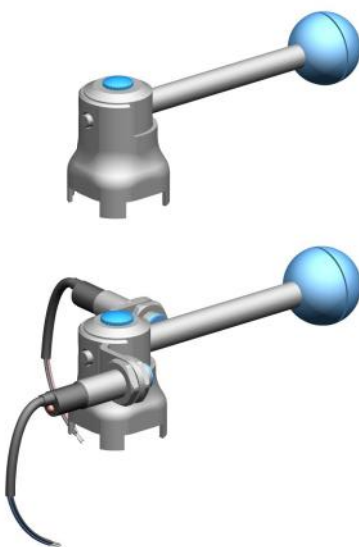
Functions: on/off, intelligent, position sensor



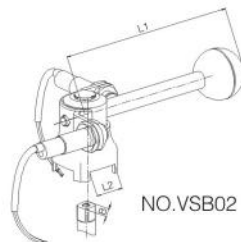
气动蝶阀+MINIC-TOP
Pneumatic butterfly valve + MINIC-TOP

SIZE: 1"-2"

气动三片蝶阀+位置传感器
Pneumatic 3PC butterfly valve + sensor



NO.VSB01



NO.VSB02

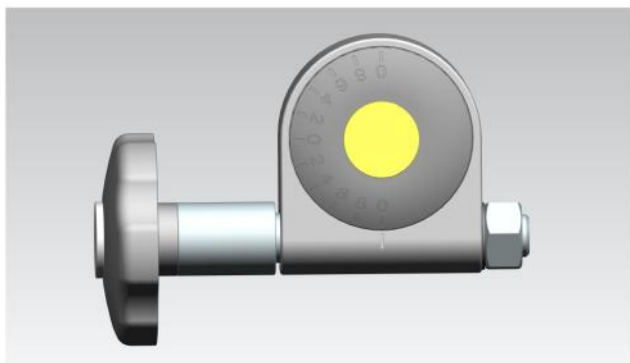
NO.VSB01
拉式手柄Pull handle

	SIZE	L1	L2	B
DN10-DN40	0.5"-1.5"	126	20.2	8
DN50	2"	133	22.2	10
DN65	2.5"-3"	144	22.2	10
DN80-DN100	3.5"-4"	160	22.2	11
DN125-DN150	5"-6"	220	30.2	14
DN200-DN300	8"-12"	284	30.2	14

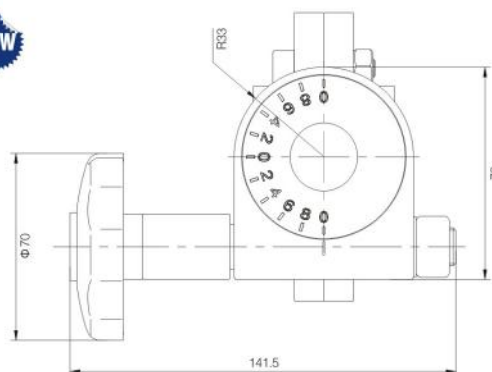
NO.VSB02
拉式手柄带传感器Pull handle

	SIZE	L1	L2	B
DN10-DN40	0.5"-1.5"	126	20.2	8
DN50	2"	133	22.2	10
DN65	2.5"-3"	144	22.2	10
DN80-DN100	3.5"-4"	160	22.2	11
DN125-DN150	5"-6"	220	30.2	14
DN200-DN300	8"-12"	284	30.2	14

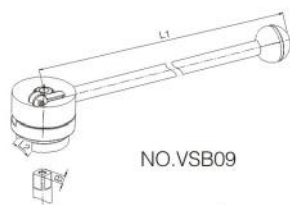
各种手柄设计
Various handles



NEW



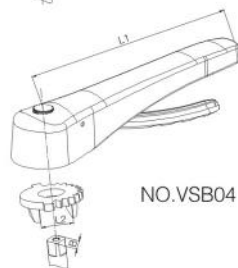
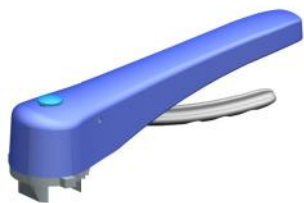
微调手柄尺寸图
Fine-tuning handle size drawing
NO.VSB05



NO.VSB09

NO.VSB09
多位手柄Multi-position handle

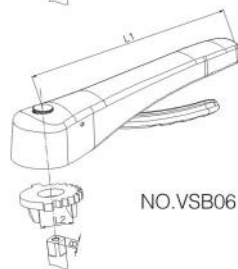
SIZE	L1	L2	B	
DN125-DN150	5"-6"	257	30.2	14
DN200-DN300	8"-12"	397	30.2	14



NO.VSB04

NO.VSB04
09款多位塑料手柄
Multi-position handle(Plastic)

SIZE	L1	L2	B	
DN10-DN40	0.5"-1.5"	164	20.2	8
DN50-DN65	2"-3"	164	22.2	10
DN80-DN100	3.5"-4"	164	22.2	11



NO.VSB06

NO.VSB06
11款多位不锈钢手柄
Multi-position handle(Stainless steel)

SIZE	L1	L2	B	
DN10-DN40	0.5"-1.5"	166	20.2	8
DN50-DN65	2"-3"	166	22.2	10
DN80-DN100	3.5"-4"	166	22.2	11
DN125-DN150	5"-6"	166	30.2	14



NO.VSB08

NO.VSB08
13款多位不锈钢手柄(带锁)
Multi-position handle(Stainless steel)

SIZE	L1	L2	B	
DN15-DN40	0.5"-1.5"	155	20.2	8
DN50-DN65	2"-3"	155	22.2	10
DN80-DN100	3.5"-4"	155	22.2	11

蝶阀 Butterfly valve



微调式手轮蝶阀 Fine tuning handwheel butterfly valve

微调蝶阀具备标准蝶阀所有的功能和特点，
该蝶阀具有非常灵活的流量调节装置，开关量可调节，
阀位可通过刻度表反馈
连接方式：卡箍、焊接、螺纹等

Fine tuning the standard butterfly valve butterfly valve with all the functions and features, The butterfly valve has a very flexible flow regulating device, the switch can be adjusted by scale sheet valve position feedback
Connection: clamp, welding, thread, etc.

技术规格 Technical specifications

SIZE: 1"-6", DN25-DN150

材质: 304/316L

连接方式: 卡箍、焊接、螺纹等

Material: 304/316L

Connection: clamp, welding, thread, etc.





如需更详细资料，请联系DONJOY

粉体蝶阀 Powder butterfly valve

The butterfly valve is designed application delivery split open and close the valve, the principle of using compressed air to achieve seal. This type is available for ultra-small torque which normal butterfly valve cannot do.

Design specifications: DN100-DN300, 4"-12"

Material: 316L

Seal FPM / EPDM FDA177.2600

Execution modes: manual and pneumatic

工作原理 Working principle

阀门开启密封失效，但不会外泄。

阀门关闭气体密封，保持了没有密封摩擦。

Valve open seal failure, but will not be disclosed.

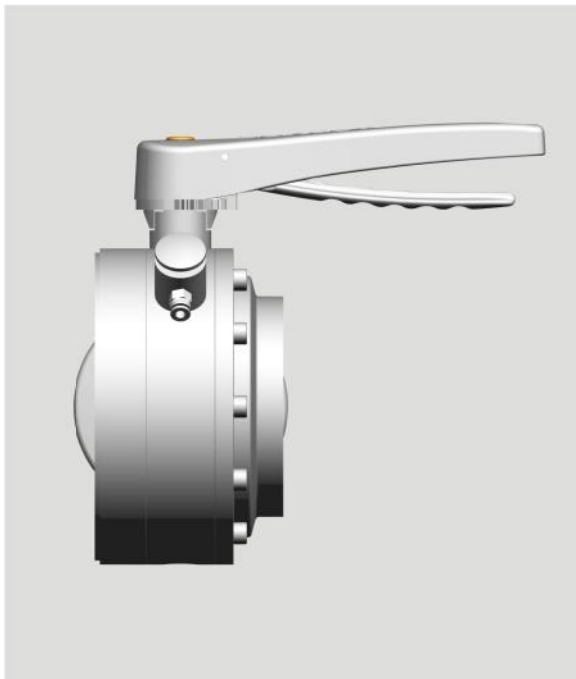
Gas can do seal once valve closed, to remain no seal friction.

技术优势 Technical advantages

开启和关闭密封不会产生摩擦，

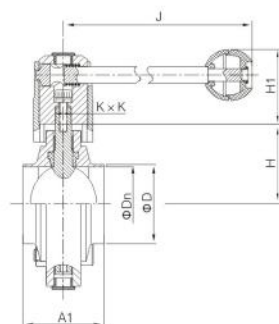
因此无需担心密封因摩擦产生的污染物。

Open and close valve the seal does not produce friction, there is no fear of contamination generated by friction seal.

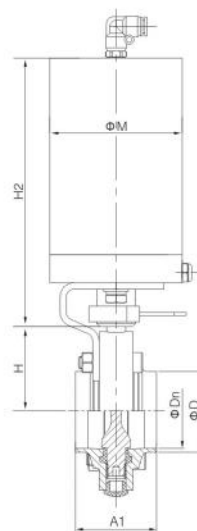


蝶阀尺寸图

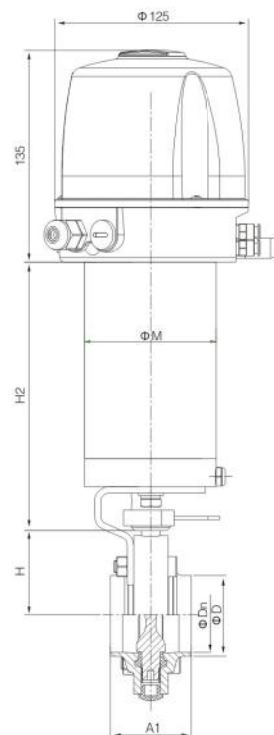
Dimension of butterfly valve



拉式手柄蝶阀
Manual butterfly valve
NO.VDF100S1



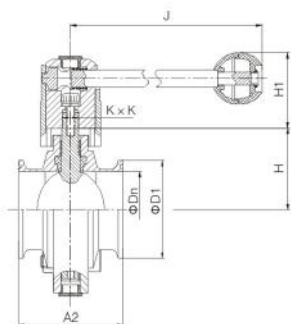
不锈钢气动蝶阀
SS Pneumatic butterfly valve
NO.VDF100Q1



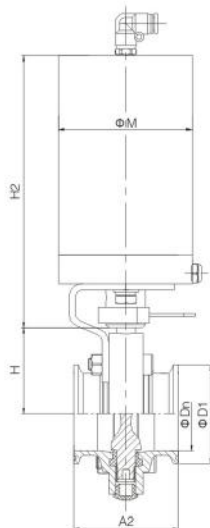
带智能头气动蝶阀
Pneumatic butterfly valve+C-TOP
NO.VDF101Q1

蝶阀(DIN) Butterfly valve (DIN)								
SIZE	Dn	D	J	H	H1	H2	M	A1
DN10	10	13	126	40	43.5	172.5	86	50
DN15	15	18/19	126	40	43.5	172.5	86	50
DN20	19	22/23	126	40	43.5	172.5	86	50
DN25	25	28/29	126	40	43.5	172.5	86	50
DN32	31	34/35	126	44.5	43.5	172.5	86	50
DN40	37	40/41	126	46.5	43.5	172.5	86	50
DN50	49	52/53	133	54.5	47.5	172.5	86	52
DN65	66	70	144	64	47.5	172.5	86	56
DN80	81	85	160	70.5	50	172.5	86	60
DN100	100	104	160	81	50	172.5	86	64
DN125	125	129	257	94.5	52.5	248	113	80
DN150	150	154	257	110	52.5	285	133	90
DN200	200	204	397	145	52.5	306	166	90
DN250	250	254	397	174	52.5	306	166	90
DN300	300	304	397	174	52.5	306	166	90

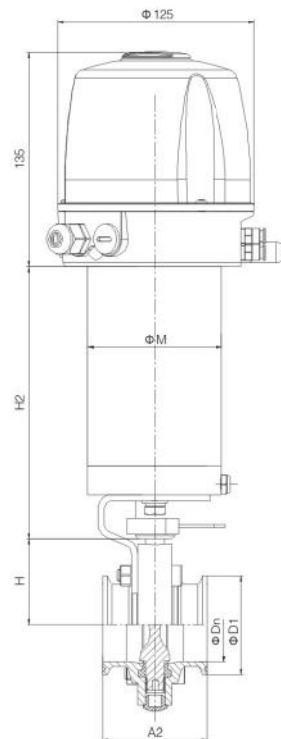
蝶阀(INCH) Butterfly valve(INCH)								
SIZE	Dn	D	J	H	H1	H2	M	A1
1/2"	9.7	12.7	126	40	43.5	172.5	86	50
3/4"	16.1	19.1	126	40	43.5	172.5	86	50
1"	22.4	25.4	126	40	43.5	172.5	86	50
1 1/8"	28.8	31.8	126	40	43.5	172.5	86	50
1 1/2"	35.1	38.1	126	44.5	43.5	172.5	86	50
Φ45	41	45	126	46.5	43.5	172.5	86	50
Φ48	45	48	126	48.5	43.5	172.5	86	52
2"	47.8	50.8	133	52.5	47.5	172.5	86	52
Φ57	53	57	144	54	47.5	172.5	86	52
2 1/2"	59.5	63.5	144	59	47.5	172.5	86	56
3"	72.2	76.2	144	65.5	47.5	172.5	86	56
3.5"	85	89	144	72	50	172.5	86	60
4"小	97.6	101.6	144	79	50	172.5	86	64
4"大	97.6	101.6	160	81	50	172.5	86	64
108	104	108	160	82.5	50	172.5	86	64
114.3	110.3	114.3	160	82.5	52.5	248	113	64
133	127	133	257	94.5	52.5	248	113	80
6"	146.8	152.8	257	110	52.5	285	133	90
159	153	159	257	110	52.5	285	133	90
8"	197.6	203.2	397	145	52.5	306	166	90
219	211	219	397	145	52.5	306	166	90
10"	247.2	254	397	174	52.5	306	166	90



拉式手柄蝶阀
Manual butterfly valve
NO.VDF110S1



不锈钢气动蝶阀
SS Pneumatic butterfly valve
NO.VDF110Q1



带智能头气动蝶阀
Pneumatic butterfly valve+C-TOP
NO.VDF111Q1

蝶阀(DIN) Butterfly valve (DIN)

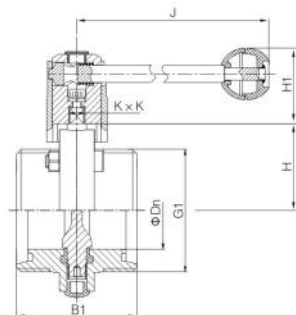
SIZE	Dn	D1	J	H	H1	H2	M	A2
DN10	10	34	126	40	43.5	172.5	86	66
DN15	15	34	126	40	43.5	172.5	86	66
DN20	19	34	126	40	43.5	172.5	86	66
DN25	25	50.5	126	40	43.5	172.5	86	66
DN32	31	50.5	126	44.5	43.5	172.5	86	66
DN40	37	50.5	126	46.5	43.5	172.5	86	70
DN50	49	64	133	54.5	47.5	172.5	86	76
DN65	66	91	144	64	47.5	172.5	86	80
DN80	81	106	160	70.5	50	172.5	86	84
DN100	100	119	160	81	50	172.5	86	104
DN125	125	144.5	257	94.5	52.5	248	113	122
DN125	125	155	257	94.5	52.5	248	113	122
DN150	150	167	257	110	52.5	285	133	146
DN150	150	183	257	110	52.5	285	133	146
DN200	200	217.4	397	145	52.5	306	166	166
DN200	200	233.5	397	145	52.5	306	166	166
DN250	250	268	397	174	52.5	306	166	167
DN300	300	319	397	174	52.5	306	166	146

蝶阀(INCH) Butterfly valve(INCH)

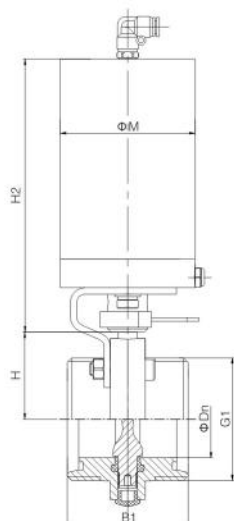
SIZE	Dn	D1	J	H	H1	H2	M	A2
1/2"	9.7	25.4	126	40	43.5	172.5	86	66
3/4"	16.1	25.4	126	40	43.5	172.5	86	66
1"	22.4	50.5	126	40	43.5	172.5	86	66
1 1/4"	28.8	50.5	126	40	43.5	172.5	86	66
1 1/2"	35.1	50.5	126	44.5	43.5	172.5	86	70
Φ45	41	64	126	46.5	43.5	172.5	86	74
Φ48	45	64	126	48.5	43.5	172.5	86	76
2"	47.8	64	133	52.5	47.5	172.5	86	76
Φ57	53	77.5	144	54	47.5	172.5	86	76
2 1/2"	59.5	77.5	144	59	47.5	172.5	86	80
3"	72.2	91	144	65.5	47.5	172.5	86	84
3.5"	85	106	144	72	50	172.5	86	86
4"小	97.6	119	144	79	50	172.5	86	104
4"大	97.6	119	160	81	50	172.5	86	104
108	104	119	160	82.5	50	172.5	86	106
114.3	110.3	130	160	82.5	52.5	248	113	106
133	127	144.5	257	94.5	52.5	248	113	122
6"	146.8	167	257	110	52.5	285	133	146
159	153	183	257	110	52.5	285	133	146
8"	197.6	217.4	397	145	52.5	306	166	166
219	211	233.5	397	145	52.5	306	166	166
10"	247.2	268	397	174	52.5	306	166	167

蝶阀尺寸图

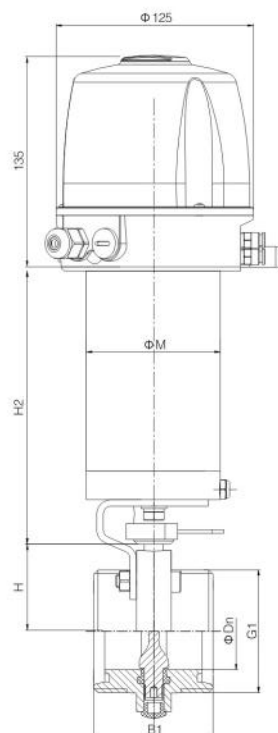
Dimension of butterfly valve



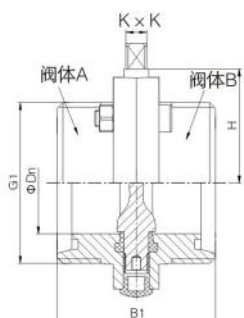
拉手柄蝶阀
Manual butterfly valve
NO.DIN-VDF130S1



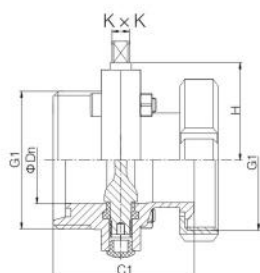
不锈钢气动蝶阀
SS Pneumatic butterfly valve
NO.DIN-VDF130Q1



带智能头气动蝶阀
Pneumatic butterfly valve+C-TOP
NO.DIN-VDF131Q1



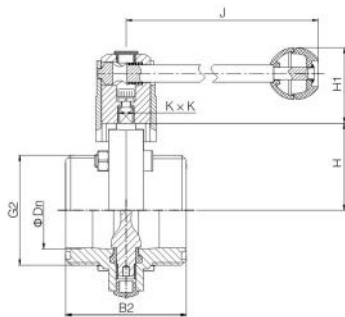
螺纹式 MALE/MALE(DIN)
NO.DIN-VDF130XX



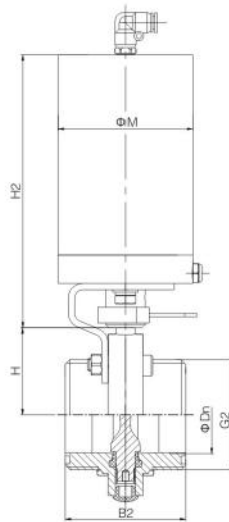
单螺纹单螺母式 MALE/NUT(DIN)
NO.DIN-VDF120XX-23

蝶阀(DIN) Butterfly valve (DIN)

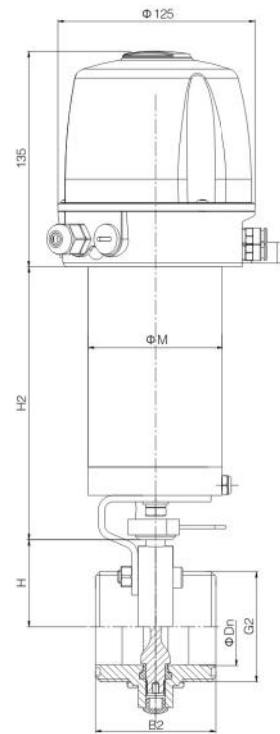
SIZE	Dn	K x K	H	H1	H2	M	B1	C1	螺纹Male(DIN)
									G1
DN10	10	8 x 8	40	43.5	172.5	86	66	75	Rd28 x 1/8
DN15	15	8 x 8	40	43.5	172.5	86	66	75	Rd34 x 1/8
DN20	19	8 x 8	40	43.5	172.5	86	66	76	Rd44 x 1/6
DN25	25	8 x 8	40	43.5	172.5	86	66	80	Rd52 x 1/6
DN32	31	8 x 8	44.5	43.5	172.5	86	70	85	Rd58 x 1/6
DN40	37	8 x 8	46.5	43.5	172.5	86	74	88	Rd65 x 1/6
DN50	49	10 x 10	54.5	47.5	172.5	86	76	92	Rd78 x 1/6
DN65	66	10 x 10	64	47.5	172.5	86	80	100	Rd95 x 1/6
DN80	81	11 x 11	70.5	50	172.5	86	84	109	Rd110 x 1/4
DN100	100	11 x 11	81	50	172.5	86	104	128	Rd130 x 1/4
DN125	125	14 x 14	94.5	52.5	248	113	130	139	Rd160 x 1/4
DN150	150	14 x 14	110	52.5	285	133	150	157	Rd190 x 1/4



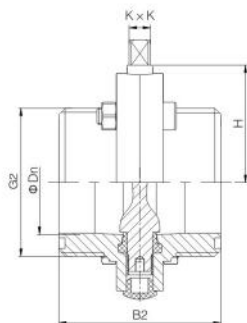
拉式手柄蝶阀
Manual butterfly valve
NO.SMS-VDF130S1



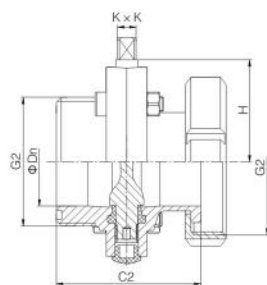
不锈钢气动蝶阀
SS Pneumatic butterfly valve
NO.SMS-VDF130Q1



带智能头气动蝶阀
Pneumatic butterfly valve+C-TOP
NO.SMS-VDF131Q1



螺纹式MALE/MALE(SMS)
NO.SMS-VDF130XX



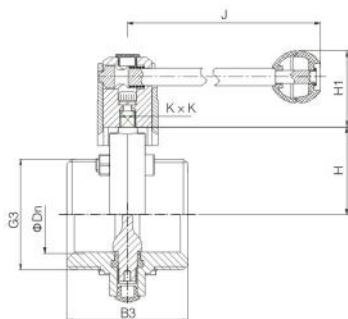
单螺纹单螺母式MALE/NUT(SMS)
NO.SMS-VDF1Z0XX-23

蝶阀(SMS) Butterfly valve (SMS)

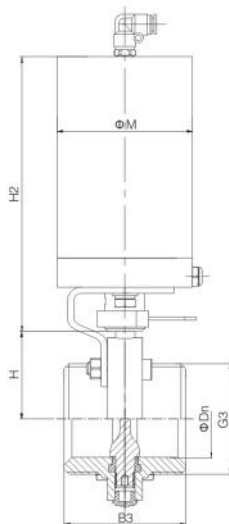
SIZE	Dn	K x K	H	H1	H2	B2	C2	螺纹Male(SMS)
								G2
3/4"	16	8×8	40	43.5	172.5	66	70	Rd36×1/8
1"	22.4	8×8	40	43.5	172.5	66	73	Rd40×1/6
1 1/4"	28.8	8×8	40	43.5	172.5	66	78	Rd48×1/6
1 1/2"	35.1	8×8	44.5	43.5	172.5	70	80	Rd60×1/6
2"	47.8	10×10	52.5	47.5	172.5	76	84	Rd70×1/6
2 1/2"	59.5	10×10	59	47.5	172.5	80	89	Rd85×1/6
3"	72.2	10×10	65.5	47.5	172.5	84	91	Rd98×1/6
3.5"	85	11×11	72	50	172.5	86	94	Rd105×1/6
4'小	97.6	11×11	79	50	172.5	104	105	Rd125×1/4
4'大	97.6	11×11	81	50	172.5	104	105	Rd132×1/4

蝶阀尺寸图

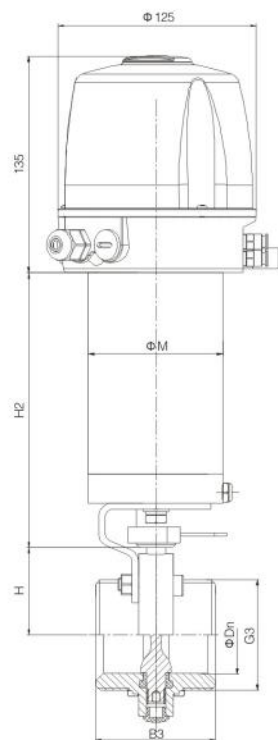
Dimension of butterfly valve



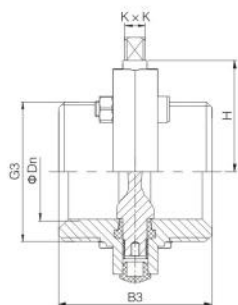
拉式手柄蝶阀
Manual butterfly valve
NO.3A-VDF130S1



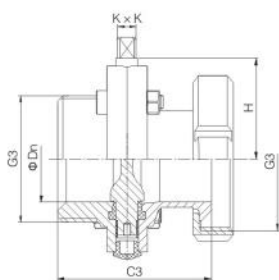
不锈钢气动蝶阀
SS Pneumatic butterfly valve
NO.3A-VDF130Q1



带智能头气动蝶阀
Pneumatic butterfly valve+C-TOP
NO.3A-VDF131Q1



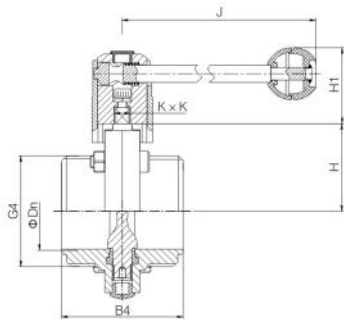
螺纹式MALE/MALE(3A)
NO.3A-VDF130XX



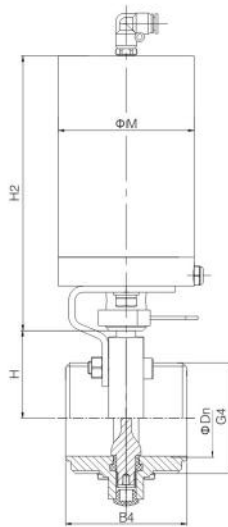
单螺纹单螺母式MALE/NUT(3A)
NO.3A-VDF1Z0XX-23

蝶阀(3A) Butterfly valve (3A)

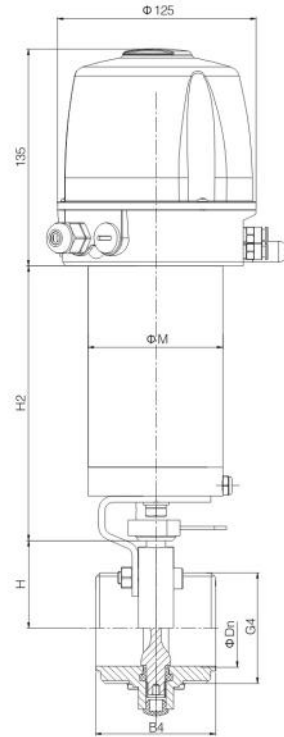
SIZE	Dn	K x K	H	H1	H2	B3	C3	螺纹Male(3A)
								G3
1"	22.1	8 x 8	40	43.5	172.5	66	93	37.1 x 1/8Acme
1 1/4"	28.8	8 x 8	40	43.5	172.5	70	95	45.9 x 1/8Acme
1 1/2"	34.8	8 x 8	44.5	43.5	172.5	70	98	50.6 x 1/8Acme
2"	47.5	10 x 10	52.5	47.5	172.5	76	102	64.1 x 1/8Acme
2 1/2"	60.2	10 x 10	59	47.5	172.5	80	112.5	77.6 x 1/8Acme
3"	72.9	10 x 10	65.5	47.5	172.5	84	114.5	91.1 x 1/8Acme
4"	97.4	11 x 11	79	50	172.5	104	126.5	119.2 x 1/6Acme



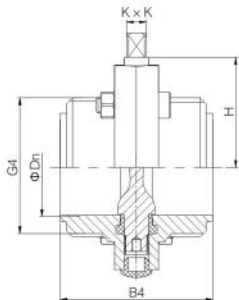
拉式手柄蝶阀
Manual butterfly valve with pull handle
NO.ISO/IDF-VDF130S1



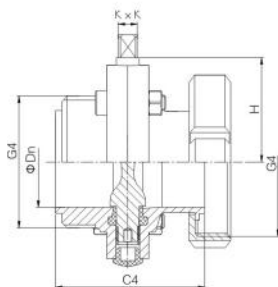
不锈钢气动蝶阀
SS Pneumatic butterfly valve
NO.ISO/IDF-VDF130Q1



带智能头气动蝶阀
Pneumatic butterfly valve+C-TOP
NO.ISO/IDF-VDF131Q1



螺纹式MALE/MALE(ISO/IDF)
NO.ISO/IDF-VDF130XX



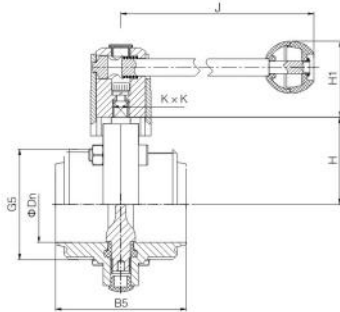
单螺纹单螺母式MALE/NUT(ISO/IDF)
NO.ISO/IDF-VDF1Z0XX-23

蝶阀(ISO/IDF) Butterfly valve (ISO/IDF)

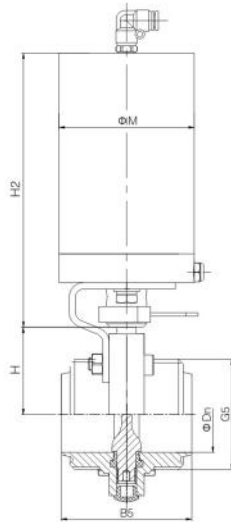
SIZE	Dn	K x K	H	H1	H2	B4	C4	螺纹Male(ISO/IDF)
								G4
1"	22.4	8 x 8	40	43.5	172.5	66	82.5	37.1 x 1/8Acme
1 1/2"	35.1	8 x 8	44.5	43.5	172.5	76	84.5	50.6 x 1/8Acme
2"	47.8	10 x 10	52.5	47.5	172.5	82	88.5	64.1 x 1/8Acme
2 1/2"	59.5	10 x 10	59	47.5	172.5	86	92.5	77.6 x 1/8Acme
3"	72.2	10 x 10	65.5	47.5	172.5	90	94.5	91.1 x 1/8Acme
3.5"	84.9	10 x 10	72	50	172.5	90	96.5	104.7 x 1/6Acme
4"(ISO)	97.6	11 x 11	79	50	172.5	110	109	118.2 x 1/8Acme
4"(IDF)	97.6	11 x 11	79	50	172.5	110	117	125.9 x 1/6Acme

蝶阀尺寸图

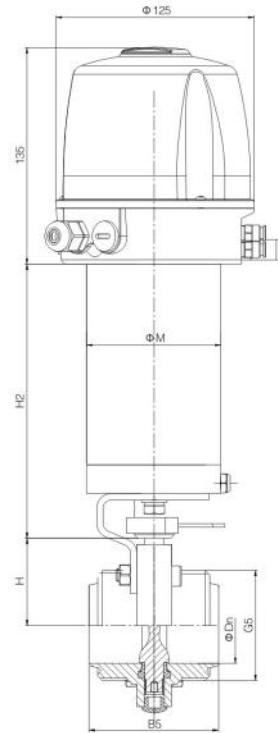
Dimension of butterfly valve



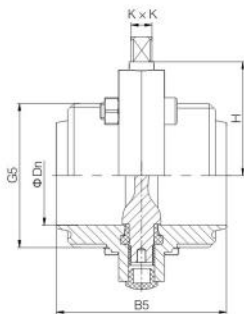
拉式手柄蝶阀
Manual butterfly valve with pull handle
NO.RJT-VDF130S1



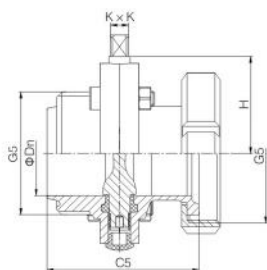
不锈钢气动蝶阀
SS Pneumatic butterfly valve
NO.RJT-VDF130Q1



带智能头气动蝶阀
Pneumatic butterfly valve+C-TOP
NO.RJT-VDF131Q1



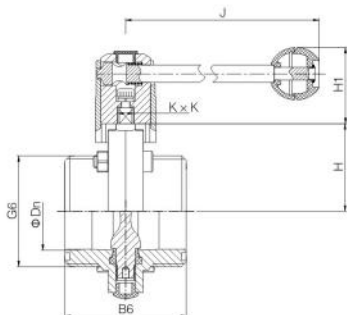
螺纹式MALE/MALE(RJT)
NO.RJT-VDF130XX



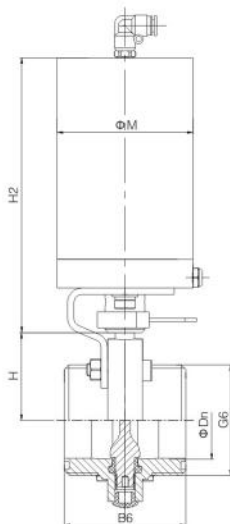
单螺纹单螺母式MALE/NUT(RJT)
NO.RJT-VDF1Z0XX-23

蝶阀(RJT) Butterfly valve (RJT)

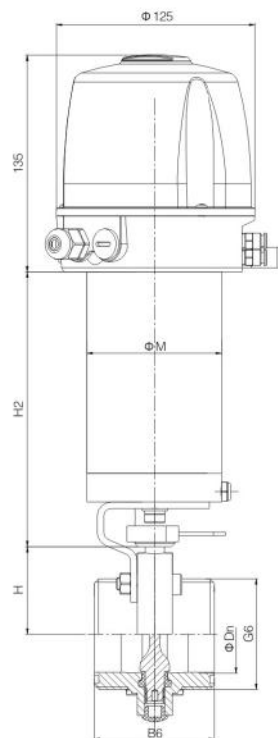
SIZE	Dn	K x K	H	H1	H2	B5	C5	螺纹Male(RJT)
								G5
1"	22.2	8 x 8	40	43.5	172.5	80	77.7	45.7 x 1/8TWHIT
1 1/2"	34.9	8 x 8	44.5	43.5	172.5	80	77.7	58.4 x 1/8TWHIT
2"	47.6	10 x 10	52.5	47.5	172.5	84	80.7	72.7 x 1/6TWHIT
2 1/2"	60.3	10 x 10	59	47.5	172.5	84	82.7	85.4 x 1/6TWHIT
3"	73	10 x 10	65.5	47.5	172.5	84	82.7	98.1 x 1/6TWHIT
4"	97.5	11 x 11	79	50	172.5	104	109.4	123.8 x 1/6TWHIT
6"	148	14 x 14	110	52.5	285	150	143.5	174.3 x 1/6TWHIT



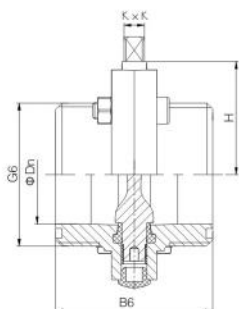
拉式手柄蝶阀
Manual butterfly valve with pull handle
NO.DS-VDF130S1



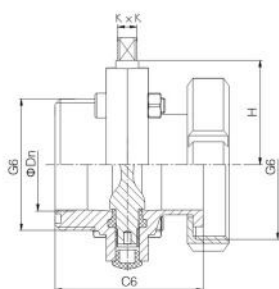
不锈钢气动蝶阀
SS Pneumatic butterfly valve
NO.DS-VDF130Q1



带智能头气动蝶阀
Pneumatic butterfly valve+C-TOP
NO.DS-VDF131Q1



螺纹式MALE/MALE(DS)
NO.DS-VDF130XX



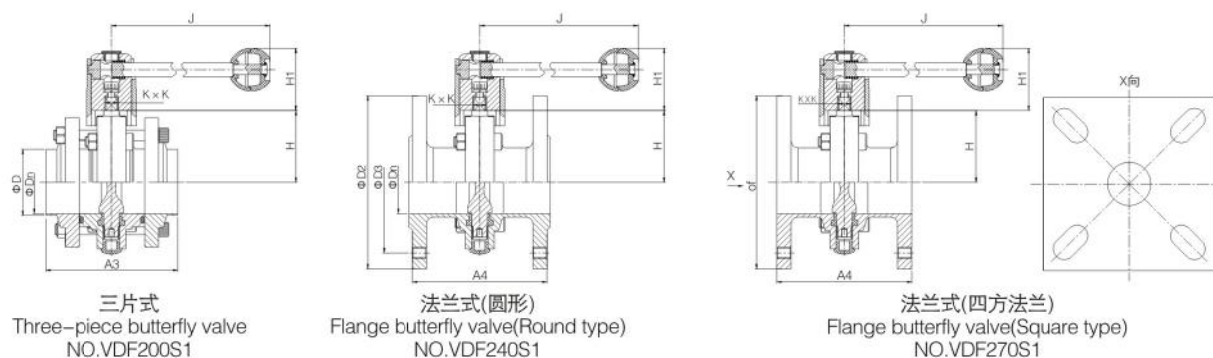
单螺纹单螺母式MALE/NUT(DS)
NO.DS-VDF1Z0XX-23

蝶阀(DS) Butterfly valve(DS)

SIZE	Dn	K x K	H	H1	H2	B6	C6	螺纹Male(DS)
								G6
1"	22.4	8 x 8	40	43.5	172.5	66	74	Rd44 x 1/6
1 1/4"	28.8	8 x 8	40	43.5	172.5	66	74	Rd52 x 1/6
1 1/2"	35.1	8 x 8	44.5	43.5	172.5	70	78	Rd58 x 1/6
2"	47.8	10 x 10	52.5	47.5	172.5	76	84	Rd72 x 1/6
2 1/2"	59.5	10 x 10	59	47.5	172.5	80	90	Rd88 x 1/6
3"	72.2	10 x 10	65.5	47.5	172.5	84	94	Rd100 x 1/6
4"	97.6	11 x 11	79	50	172.5	104	114	Rd130 x 1/4

蝶阀尺寸图

Dimension of butterfly valve

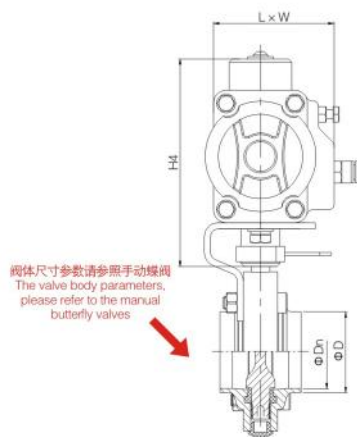


蝶阀 Butterfly valve (DIN)

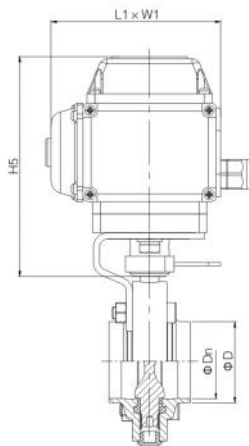
SIZE	Dn	D	D2	D3	K × K	J	H	H1	A3	A4	of
DN10	10	13	-	-	8 × 8	126	40	43.5	100	-	-
DN15	15	18/19	95	65	8 × 8	126	40	43.5	100	110	100 × 100
DN20	19	22/23	105	75	8 × 8	126	40	43.5	100	110	100 × 100
DN25	25	28/29	115	85	8 × 8	126	40	43.5	100	110	100 × 100
DN32	31	34/35	135	100	8 × 8	126	44.5	43.5	100	116	100 × 100
DN40	37	40/41	145	110	8 × 8	126	46.5	43.5	100	118	100 × 100
DN50	49	52/53	160	125	10 × 10	133	54.5	47.5	104	120	100 × 100
DN65	66	70	180	145	10 × 10	144	64	47.5	112	124	120 × 120
DN80	81	85	195	160	11 × 11	160	70.5	50	120	130	140 × 140
DN100	100	104	215	180	11 × 11	160	81	50	128	152	140 × 140
DN125	125	129	245	210	14 × 14	257	94.5	52.5	160	178	-
DN150	150	154	280	240	14 × 14	257	110	52.5	180	198	-
DN200	200	204	335	295	14 × 14	397	145	52.5	180	270	-

蝶阀 Butterfly valve (INCH)

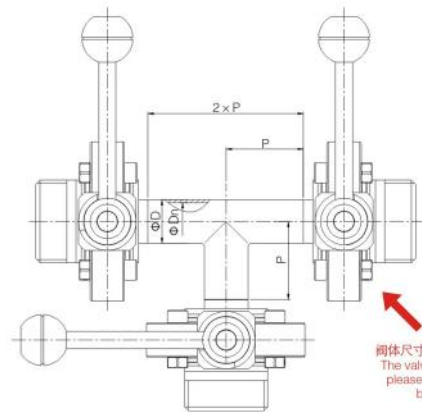
SIZE	Dn	D	D2	D3	K × K	J	H	H1	A3	A4	of
1/2"	9.7	12.7	-	-	8 × 8	126	40	43.5	100	-	-
3/4"	15.8	19.1	95	65	8 × 8	126	40	43.5	100	-	100 × 100
1"	22.4	25.4	105	75	8 × 8	126	40	43.5	100	110	100 × 100
1 1/4"	28.8	31.8	115	85	8 × 8	126	40	43.5	100	110	100 × 100
1 1/2"	35.1	38.1	135	100	8 × 8	126	44.5	43.5	100	116	100 × 100
Φ45	41	45	145	110	8 × 8	126	46.5	43.5	100	118	100 × 100
Φ48	45	48	145	110	8 × 8	126	48.5	43.5	100	118	100 × 100
2"	47.8	50.8	145	110	10 × 10	133	52.5	47.5	104	118	100 × 100
Φ57	53	57	160	125	10 × 10	144	54	47.5	104	120	100 × 100
2 1/2"	59.5	63.5	160	125	10 × 10	144	59	47.5	112	120	120 × 120
3"	72.2	76.2	180	145	10 × 10	144	65.5	47.5	112	124	140 × 140
3.5"	85	89	195	160	11 × 11	144	72	50	120	130	140 × 140
4"小	97.6	101.6	195	160	11 × 11	144	79	50	128	130	140 × 140
4"大	97.6	101.6	195	160	11 × 11	160	81	50	128	130	140 × 140
108	104	108	215	180	11 × 11	160	82.5	50	128	152	-
114.3	110.3	114.3	215	180	11 × 11	160	82.5	52.5	160	152	-
133	127	133	245	210	14 × 14	257	94.5	52.5	160	178	-
6"	146.8	152.4	280	240	14 × 14	257	110	52.5	180	198	-
159	153	159	280	240	14 × 14	257	110	52.5	180	198	-
8"	197.6	203.2	335	295	14 × 14	397	145	52.5	180	270	-
219	211	219	335	295	14 × 14	397	145	52.5	180	270	-
10"	247.2	254	390	350	14 × 14	397	174	52.5	-	270	-



铝制气动蝶阀
Horizontal actuator butterfly valve
NO.VDF100Q2



电动蝶阀
Electric actuator butterfly valve
NO.VDF100D1



三通蝶阀
Three-way butterfly valve

蝶阀(DIN) Butterfly valve (DIN)							
SIZE	Dn	D	H4 双作用	H5	L x W	L1 x W1	P
DN10	10	13	124	167	158x71	165X120	\
DN15	15	18/19	124	167	158x71	165X120	\
DN20	19	22/23	124	167	158x71	165X120	\
DN25	25	28/29	124	167	158x71	165X120	50
DN32	31	34/35	124	167	158x71	165X120	55
DN40	37	40/41	124	167	158x71	165X120	60
DN50	49	52/53	124	167	158x71	165X120	70
DN65	66	70	138	167	190x81	165X120	80
DN80	81	85	138	167	190x81	165X120	90
DN100	100	104	150	167	207x94	165X120	100
DN125	125	129	196	233	213x98.5	212X134	\
DN150	150	154	196	233	213x98.5	212X134	\
DN200	200	204	194	233	213x98.5	212X134	\
DN250	250	254	205	233	259X108.5	212X134	\
DN300	300	304	205	233	259X108.5	212X134	\

蝶阀(INCH) Butterfly valve (INCH)						
SIZE	Dn	D	H4 双作用	H5	L x W	L1 x W1
	9.7	12.7	124	167	158x71	165X120
	16.1	19.1	124	167	158x71	165X120
	22.4	25.4	124	167	158x71	165X120
	28.8	31.8	124	167	158x71	165X120
	35.1	38.1	124	167	158x71	165X120
	41	45	124	167	158x71	165X120
	45	48	124	167	158x71	165X120
	47.8	50.8	126	167	158x71	165X120
	53	57	126	167	158x71	165X120
	59.5	63.5	138	167	190x81	165X120
	72.2	76.2	138	167	190x81	165X120
	85	89	138	167	190x81	165X120
	97.6	101.6	150	167	207x94	165X120
	97.6	101.6	150	167	207x94	165X120
	104	108	150	167	207x94	165X120
	110.3	114.3	196	233	213x98.5	165X120
	127	133	196	233	213x98.5	212X134
	146.8	152.4	196	233	213x98.5	212X134
	153	159	196	233	213x98.5	212X134
	197.6	203.2	194	233	213x98.5	212X134
	211	219	194	233	213x98.5	212X134
	247.2	254	205	233	259x108.5	212X134